

ChromaLuxe Photo Panels

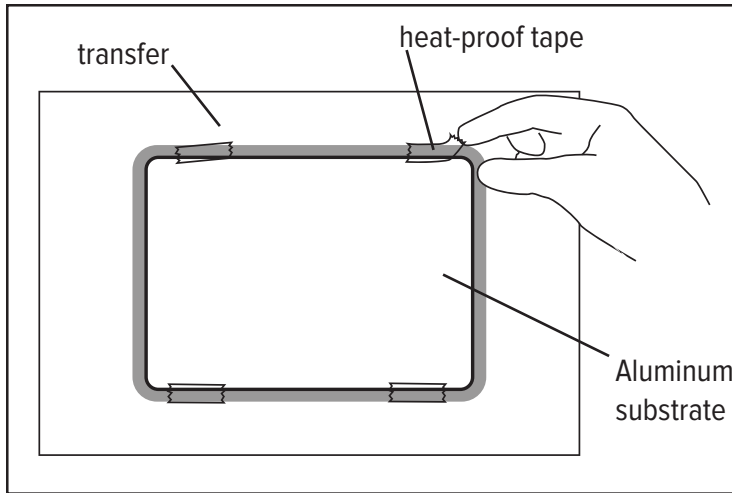
ChromaLuxe Sublimation Overview

MATERIALS NEEDED:

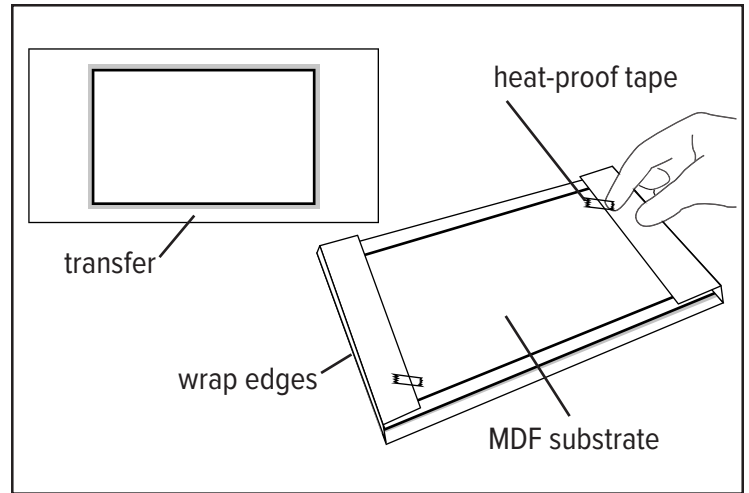
- Blank ChromaLuxe Photo Panel and Printed Transfer
- Poly Fabric (to help wick away moisture)
- Sublimation Printer (RIP Printing Software)
- Large Format Pneumatic Heat Press set to 400 Degrees F and 60 to 70 PSI (Nomex Pad, Heat Gloves and Heat Tape)
- Cloth for cleaning and all-purpose cleaner (Rubbing Alcohol)
- Blowout Paper

Extra Tip: See additional tip sheet for complete list of times, temperatures, and pressure settings for different panel sizes.

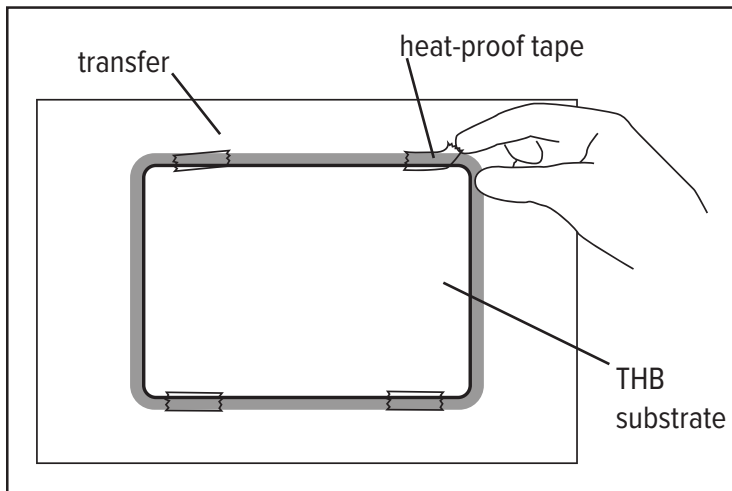
INSTRUCTIONS



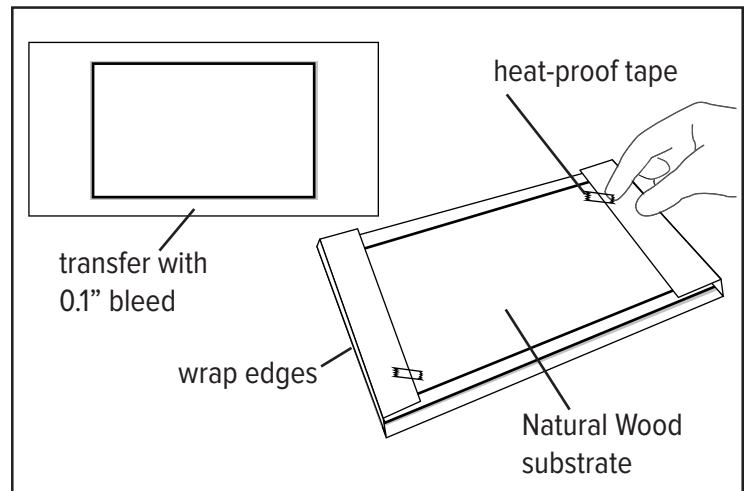
ALUMINUM: Peel film, and clean panel with all-purpose cleaner, a cloth, and compressed air. Align panel with transfer and place four pieces of tape along the long sides as shown. Larger panels may require more tape. Press face up. After pressing, remove transfer and allow to cool.



MDF: Set pneumatic heat press to 400 Degrees F and 60-70 PSI. Peel film, and gently scrape perpendicular to the blank side where the edges meet the surface to remove excess foil or material. Clean panel with all-purpose cleaner, a cloth, and compressed air. Align panel with transfer and wrap around short sides as shown, taping transfer to back of panel. Press face up. After pressing, remove transfer and allow to cool. If you experience any warping, press face down on a fresh sheet of blowout paper for 30-40 seconds.



THB: Peel film and clean panel with all-purpose cleaner, a cloth, and compressed air. Align panel with transfer and place four pieces of tape along the long sides as shown. Larger panels may require more tape. Press face up. After pressing, remove transfer and allow to cool.



NATURAL WOOD: To prevent ink from moving to the sides, we recommend a .1 inch bleed on your transfer. Use care when aligning the transfer. Peel film and gently scrape perpendicular to the blank side where the edges meet the surface to remove excess foil or material. Clean panel with all-purpose cleaner, a cloth, and compressed air. Align panel with transfer and wrap around short sides as shown, taping transfer to back of panel. Press face up. After pressing, remove transfer and allow to cool.